

5-9NM Marine Lantern

SL-510-SA



The SL-510-SA stand-alone marine lantern can be remotely monitored and maintained via Bluetooth® or Iridium® satellite technology.

Intensity Range (5-9NM)

High intensity capabilities of up to 1100 candela in white utilising leading technology LEDs for a visible range of 5-9NM.

Enhanced Optics

The optics and lens design ensures that vessel operators can clearly see the light from above when passing the AtoN.

OLED Screen With Touchpad

The conveniently located OLED (Organic Light-Emitting Diode) screen with touchpad allows maintenance personnel to check the diagnostics of the lantern with the touch of a button.

Bluetooth® Connectivity

Integrated Bluetooth® technology using the exclusive SealitePro® app allows for convenient in-field setup, configuration and maintenance from a location up to 50 metres away using your phone or tablet.

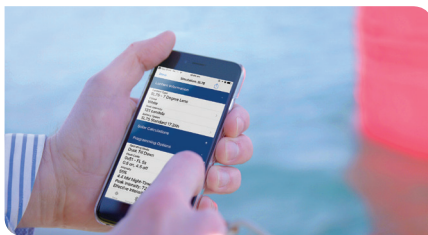


Satellite Communications

The SL-510-SA is available with an optional integrated Iridium® Satellite module enabling two-way monitoring and control using the Iridium® Low Earth Orbit satellite network. Accessible via the Star2M® portal, the global Iridium® network offers genuine, pole-to-pole coverage and is the perfect communication partner for Sealite and our aids to navigation solutions.

AIS Connectivity

Externally fitted. Available with type 1 or type 3 and operating on the international VHF Marine Mobile Band for AtoN operational status and positioning information.



Features

- Satellite communications.
- GSM communication.
- AIS Type 1 and Type 3 connectivity
- Enhanced optics.
- GPS synchronisation.
- OLED screen with touchpad in lens.
- Bluetooth® connectivity.
- Polycarbonate base and top.
- Environmentally friendly bird spike.

High Performance

- Flexibility to install with various external solar panels sizes and battery capacities.
- 200mm bolt pattern for immediate installation.

Optional

- Satellite communications.
- AIS
- GSM communications
- IR programmable.

Cost Effective

- Low maintenance costs.
- Energy efficient light solution.

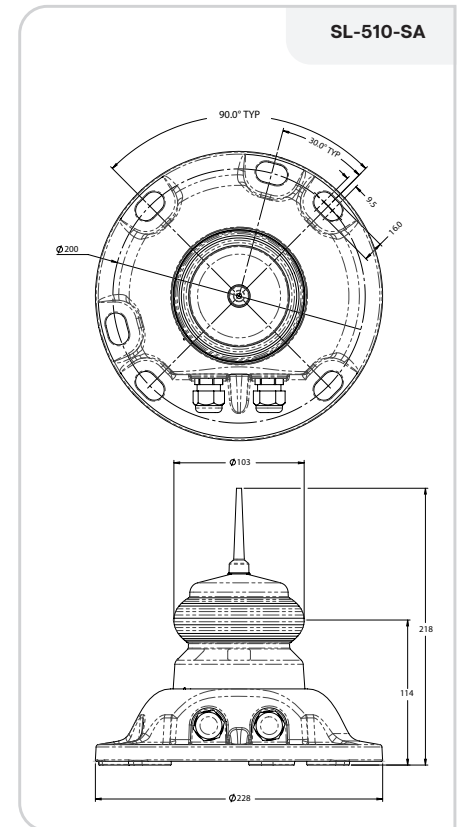
Compliance

- IALA

Technical Specifications*

SL-510-SA	
Light Characteristics	
Light Source	LED
Available Colours	Red, Green, White, Yellow, Blue
SL-510-5D Typical Maximum Intensity (cd)†	Red - 620, Green - 690, White - 1150, Yellow - 570, Blue - 310
SL-510-10D Typical Maximum Intensity (cd)†	Red - 460, Green - 440, White - 650, Yellow - 320, Blue - 200
Visible Range (NM)	AT @ 0.74: 5-9NM
Horizontal Output (degrees)	360
Vertical Divergence (degrees)	5 or >10
Available Flash Characteristics	Up to 310 IALA recommended (user adjustable)
Intensity Adjustments	Multiple intensity settings
LED Life Expectancy (hours)	>100,000
Electrical Characteristics	
Available Power	Variable up to 15W
Circuit Protection	Integrated
Nominal Voltage (V)	12-24
Physical Characteristics	
Body Material	LEXAN® Polycarbonate – UV-stabilised
Lens Material	LEXAN® Polycarbonate – UV-stabilised
Lens Diameter (mm/inches)	98 / 3 ^{7/8}
Lens Design	LED Optic
Mounting	3 & 4 hole 200mm bolt pattern
Height (mm/inches)	218 / 8.58
Width (mm/inches)	228 / 8.98
Mass (kg/lbs)	1.2 / 2.65
Service Life	15 years ^
Environmental Standards	
Shock	MIL-STD-202G Test Condition H, Method 213B 30G vertical and 35G horizontal shock
Vibration	MIL-STD-202G, Test Condition B, Method 204D 5G in all axes
Ice Loading	Rated to withstand 22kg/m ²
Salt Fog	MIL-STD-810F Method 509.4
Rain Test	MIL-STD-810F Method 506.4 procedure 1
Wind Exposure	Rated to withstand 140 knots
Humidity	MIL-STD-810F method 507.4 (0 – 100%, condensing)
Temperature Range	-30 to 50°C
Certifications	
CE	EN61000-6-2:2005, IEC61000-4-2:2008, IEC61000-4-3:2010, IEC61000-6-1:2016
IALA	Signal colours compliant to IALA E-200-1
Quality Assurance	ISO 9001:2015
Ingress Protection	IP68
Intellectual Property	
Trademarks	SEALITE® is a registered trademark of Sealite Pty Ltd
Warranty *	3 years
Options Available	<ul style="list-style-type: none"> • Satellite Communications • GSM Communication • AIS Connectivity (Externally Fitted) • 5°, 10° Lens • IR Programmer

Technical Illustrations



How to Order SL-510-SA Series SL-510-[XXD]-SAB0-[X]-[XX]

Product No.: _____

Lens Type: _____

- 05 (5 Degree)
- 10 (10 Degree)

LED Option: _____

- W (White)
- Y (Yellow)
- G (Green)
- R (Red)
- B (Blue)
- BY (Blue / Yellow)

Option Configuration: _____

- 00 No Options
- 01 SAT Only
- 02 GSM Only
- 03 AIS Ready



CE • Specifications subject to change or variation without notice
 * Subject to standard terms and conditions
 † Intensity may vary in accordance with LED manufacturers specification
 ^ Refer to the Sealite website under the warranty section